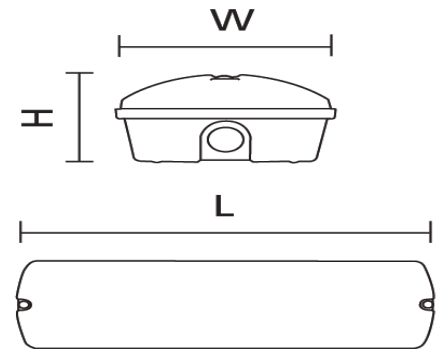


Emergency

Darwell Emergency Bulkhead 2.5W 6000K LiFePO4 - White



• LiFePO4 battery • Polycarbonate body and diffuser • Maintained / Non maintained • 20mm conduit entry • Loop in / Loop out terminals



General Data

Technology	LED
Mounting options	Ceiling Wall
Electrical Connector Type	Push fit terminal
Install Options	20mm Cut Out
Input Cable	0.75-2.5mm ²
Input Electrical Connection	Live Neutral P Live
General Application	Commercial Industrial Educational
Operating Temperature Range °C	0 - +30
Warranty (Years)	5

421061

Technical Specification

Optical Data

LED Manufacturer / Type	Everlight
Fixture Luminous Flux (Lm)	140
Luminaire Efficacy @6000K (lm/W)	140
LOR %	100
Beam Angle°	110
Photobiological Risk Group	RG0

Light Source Data

Colour Temperature (K)	6000
Light Colour	Daylight
CRI Ra	70

Electrical Data

Wattage (W)	2.5
Total Power Consumption (W)	2.5
Mains voltage (V)	220 - 240
Lamp power factor	0.8
Electrical protection	Class II
Driver Output (V)	2.5 - 4
Driver Output Current (mA)	295
Control Gear Type CC or CV	Constant Current
Driver Brand	Luminaireux
Nominal Frequency (Hz)	50/60

Lifetime Data

Lifespan L70 B50 @25°C (Hrs)	30000
------------------------------	-------

421061

Technical Specification

Emergency Data

Battery Type	LiFeP04
Battery Capacity (mAh)	1500mAh
Battery Warranty (Years)	2
Recharge Time (Hours)	24 Hours
Emergency Type	Maintained/Non-Maintained
Test Procedure	Manual
Emergency Duration (Hours)	3
Emergency Output	140

Physical Data

Housing colour	White RAL 9003
Body material	Polycarbonate
IP Rating	65
Diffuser Material	Polycarbonate
Nominal Product Length (mm)	350
Nominal Product Width (mm)	110
Nominal Product Height (mm)	60
Weight (kg)	0.9

Standards and Approvals

Manufactured In Accordance To	EN 60598-1 EN60598-2-22
CE Mark	Yes
UKCA Mark	Yes
WEEE Symbol	Yes
Certificate Of Conformity	Available on Request
Accredited Members	LIA, ISO9001

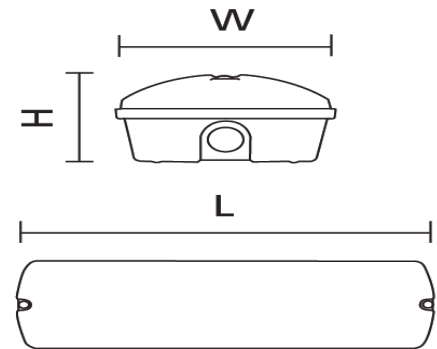


Emergency

Darwell Emergency Bulkhead 3W 6000K Self-Test LiFePO4 - White



• LiFePO4 battery • Polycarbonate body and diffuser • Maintained / Non maintained • 20mm conduit entry • Loop in / Loop out terminals



General Data

Technology	LED
Mounting options	Ceiling Wall
Electrical Connector Type	Push fit terminal
Install Options	20mm Cut Out
Input Cable	0.75-2.5mm ²
Input Electrical Connection	Live Neutral P Live
General Application	Commercial Industrial Educational
Operating Temperature Range °C	0 - +30
Warranty (Years)	5

421300

Technical Specification

Optical Data

LED Manufacturer / Type	Everlight
Fixture Luminous Flux (Lm)	155
Luminaire Efficacy @6000K (lm/W)	155
LOR %	100
Beam Angle°	110
Photobiological Risk Group	RG0

Light Source Data

Colour Temperature (K)	6000
Light Colour	Daylight
CRI Ra	70

Electrical Data

Wattage (W)	3
Total Power Consumption (W)	3
Mains voltage (V)	220 - 240
Lamp power factor	0.8
Electrical protection	Class II
Driver Output (V)	2.5 - 4
Driver Output Current (mA)	295
Control Gear Type CC or CV	Constant Current
Driver Brand	Luminaireux
Nominal Frequency (Hz)	50/60

Lifetime Data

Lifespan L70 B50 @25°C (Hrs)	30000
-------------------------------------	-------

421300

Technical Specification

Emergency Data

Battery Type	LiFeP04
Battery Capacity (mAh)	1500mAh
Battery Warranty (Years)	2
Recharge Time (Hours)	24 Hours
Emergency Type	Maintained/Non-Maintained
Test Procedure	Self Test
Emergency Duration (Hours)	3
Emergency Output	155

Physical Data

Housing colour	White RAL 9003
Body material	Polycarbonate
IP Rating	65
Diffuser Material	Polycarbonate
Nominal Product Length (mm)	350
Nominal Product Width (mm)	110
Nominal Product Height (mm)	60
Weight (kg)	0.9

Standards and Approvals

Manufactured In Accordance To	EN 60598-1 EN60598-2-22
CE Mark	Yes
UKCA Mark	Yes
WEEE Symbol	Yes
Certificate Of Conformity	Available on Request
Accredited Members	LIA, ISO9001

421300

Technical Specification



Emergency

Darwell Drop Accessory with Legends

Darwell Drop Accessory with Legends

Lifetime Data

Lifespan L70 B50 @25°C (Hrs)	30000
------------------------------	-------

Emergency Data

Battery Type	LiFeP04
Battery Capacity (mAh)	1500mAh
Battery Warranty (Years)	2
Recharge Time (Hours)	24 Hours
Emergency Type	Maintained Non-Maintained
Test Procedure	Manual
Emergency Duration (Hours)	3
Emergency Output	140

Physical Data

Housing colour	White
Body material	Polycarbonate
Diffuser Material	Polycarbonate
Nominal Product Length (mm)	340
Nominal Product Width (mm)	110
Nominal Product Height (mm)	68
Cut-Out (mm)	0.6

430391

Technical Specification

Standards and Approvals

Manufactured In Accordance To	EN 60598-1
CE Mark	Yes
UKCA Mark	Yes
WEEE Symbol	Yes
Certificate Of Conformity	Available on Request
Accredited Members	LIA, ISO9001